

Contemporary Series 2 Holes Lavatory Faucet

Features

- Contemporary styling
- Smooth operation with lever type



Specifications

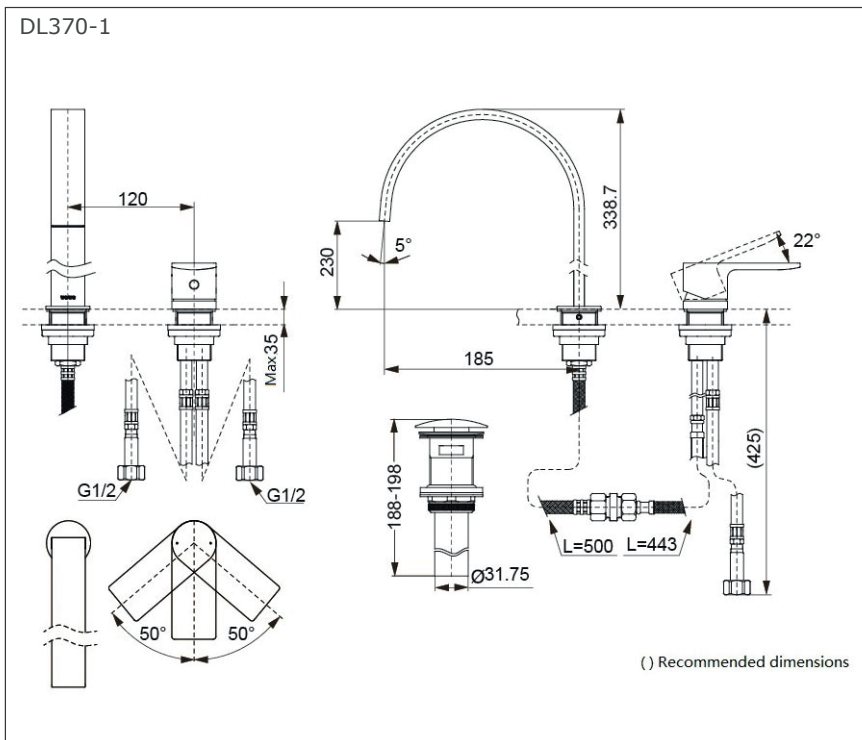
Finish : Chrome

Water Pressure : 0.05MPa~0.75MPa

Material : Brass

Parts Description

- **DL370-1**
2 Holes Lavatory Faucet
W/ Pop-up Waste



Please consult a TOTO representative for details

Flow Rate

